

TECHNICAL DATA SHEET

/// VX 370-790 Feeder

Revision 07 /// 26 March 2021

INTRODUCTION

This datasheet provides key technical parameters for BDT's **VX 370-790 Feeder**

The VX 370-790 Feeder is designed specifically to address the challenges of the wide media range to be handled in the digital print and post-press industry. Using BDT's Tornado technology, the widest range of media types, surfaces and format geometries can be handled automatically with no media specific mechanical adjustments, and no compressed air. Further the modular concept with Frame and Cart is providing a maximum extent of flexibility and productivity.



VX 370-790 Feeder



/// Imprint

Internal Document Number: VX_370-790_Feeder_technical_data_sheet_EN_rev7_26032021

Copyright

Revision 06 – Ursula Arnold – Sales Print Media
© 2019 BDT Print Media GmbH, Rottweil / Germany
All rights reserved.

Confidentiality

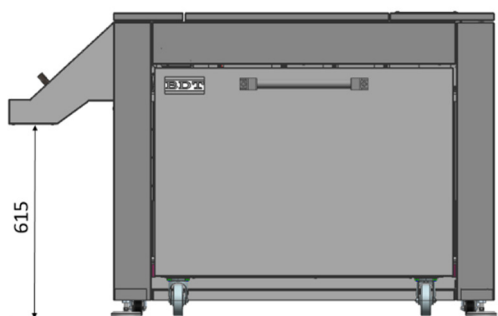
The information disclosed within this document and the introduction is confidential and exclusive property of BDT Media Automation GmbH. Unauthorized dissemination, distribution or copying of this information is strictly prohibited. Furthermore, the filing of any Intellectual Property Rights based on this information without the acknowledgement of BDT Media Automation GmbH is strictly prohibited.

Disclaimer

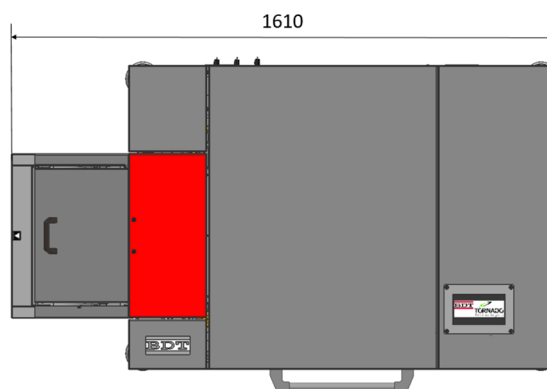
Information technology is subject to constant change. Authors, editors and the publisher have taken reasonable care to work out all texts and illustrations contained in this document. However, errors cannot be entirely excluded. Therefore neither the authors, nor the editors, nor the publisher issue any guarantees for the information contained within this document. On no account can the authors, the editors or the publisher be held liable for direct or indirect damages which occur from the evaluation of the information provided herein. This document is protected by copyright laws. The thereby founded rights, especially, but not limited to, those of translation, reprint, presentation, extraction of illustrations and charts, radio broadcast, microfilming or the reproduction through any other means and the storage within data processing equipment are reserved, even in case of mere partial utilization. Any reproduction of this document, in whole or in part, also in individual cases, is only permitted under the provisions of the respective and relevant version of the copyright laws of the Federal Republic of Germany. It is generally subject to commission. Infringements of this are subject to the sanction by the copyright law.

BASIC PRODUCT DIMENSIONS

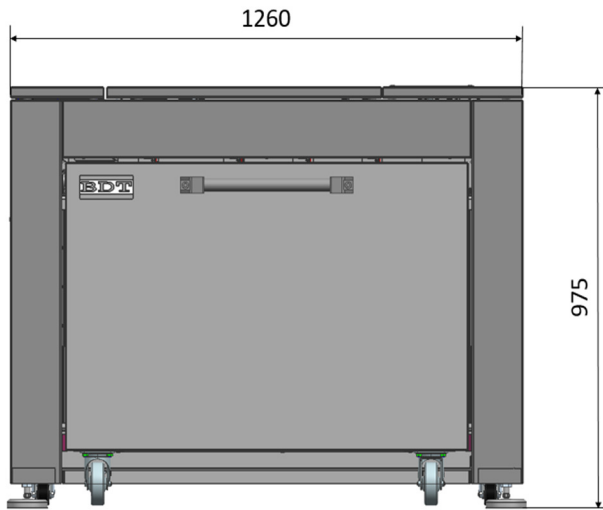
Length (Frame incl. Smart Bridge Module)	1610 mm
Length (Frame excl. Smart Bridge Module)	1260 mm
Length (Cart)	990 mm
Width (Frame)	980 mm
Width (Cart)	910 mm
Height (Frame)	975 mm
Height (Cart)	800 mm
Media eject height (incl. Smart Bridge Module)	655 mm
Media eject height (excl. Smart Bridge Module)	810 mm



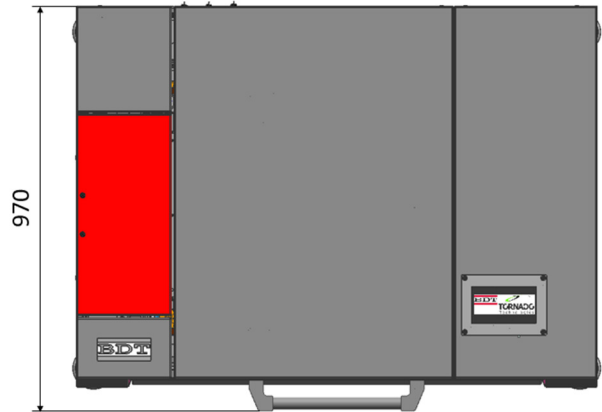
Front View – incl. Smart Bridge Module



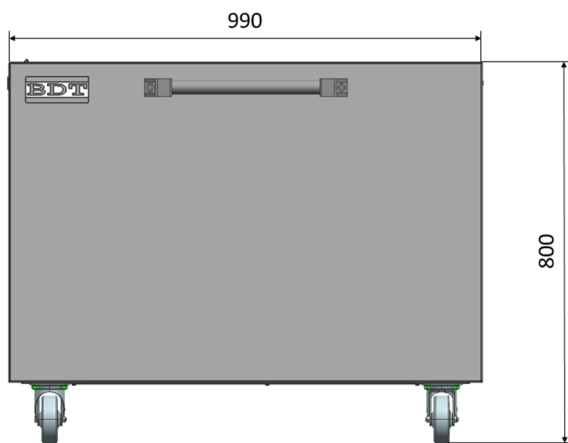
Top View – incl. Smart Bridge Module



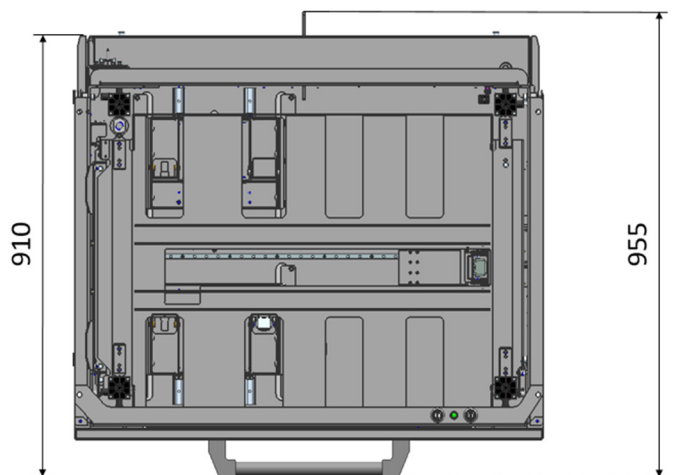
Front View – excl. Smart Bridge Module



Top View – excl. Smart Bridge Module



Front View - Cart



Top View - Cart

MASS

VX 370-790 Feeder

approx. 300kg

TRANSPORT SPEED (Host Process)

In current applications : up to 2,5 m/s

Speed is adjustable in a range to: 0-2,5 m/s

Max. acceleration (+/-)of the Tornado belt drive: up to 2 m/s²

THROUGHPUT (rating @ 100gsm, SRA3+ media format)

12.000 sheets / hour

NOISE LEVEL (rating @ 80gsm A4 media)

Consisting of 2 Tornados and 2x 4 Sideblowers depending on impeller speed, max. 75 dBA

OPERATING CONDITIONS

Temperature range: 15°C – 32°C

Humidity range: 25% - 75% R.H. (no condensation)

System is designed for low dust environments. Special applications / environmental conditions should be tested and proven by the customer.

MEDIA HANDLING

Graphics/Publishing	Coated Uncoated Offset Specialty Label stock	Perforated Plastic film Recycled Others
Max. media width orthogonal to transport	370mm	
Min. media width orthogonal to transport	210mm	
Max. media length in direction of transport	790mm	
Min. media length in direction of transport	210mm	
Guideline min. media weight (uncoated)	60gsm 16lb bond	
Guideline max. media weight (uncoated)	450gsm 166lb cover	
Media thickness	up to 600 microns	
Max. stack height	500mm	

PREVENTIVE MAINTENANCE

Design Lifetime of Tornado and Side Blower Modules is designed for one year (24/7/365) of nonstop production, or approx. 8700 operating hours under specified environment (21 °C / 50% R.H.) without maintenance.

Depending on the transported media and the operating environment, it may be necessary to clean the transport belts in case of a build-up of dust or dirt on the belts, as this may affect the maximum transport speed / acceleration. All optical sensors need to be cleaned on a regular basis according to the instruction in the user & service manuals.



CERTIFICATES

The VX 370-790 Feeder standard is certified with the CE and UL declaration. Further certificate requirements are available upon request.

- RoHS – compliant materials is the design target
 - CE compliant materials and design – Declaration of Incorporation on request.
- Information about materials safety certificates can be supplied on request.

ELECTRICAL REQUIREMENTS

The VX 370-790 Feeder has a single phase main connection.

Input voltage: 110 – 240 Volts AC

(Internal Voltages are synthesized by the Feeder)

Frequency: 50 / 60 Hz

Input current: max. 6,3 A AC / 110V

max. 3,0 A AC / 230V

Back up fuse: 16A

CONTROL LOGIC

Standard:

TCP/IP interface is a standard feature of the VX 370-790 Feeder. The interface specification is available upon request.

Revision history

Technical Data Sheet for:

VX 370-790 Feeder

Revision	Release Date	Name	Description
01	11. January 2016	Marc Steinhilber	Initial revision
02	02 May 2016	Marc Steinhilber	Change in dimensions and product name
03	08 March 2017	Frank Oehrle	Update based on final drawings
04	03 August 2018	Thomas Wenz	Change in product name, pictures, dimension cart, media eject high and speed
05	13 August 2018	Thomas Wenz	New product pictures, check the dimension
06	14 May 2019	Ursula Arnold	Update Change in dimensions, electrical requirements
07	26 March 2021	Benita Thieringer	Added new logo